

## 10-KG/ 15-KG CAPACITY EUROPEAN MANUAL SAUSAGE STUFFERS

Item: 13721/ 13722/ 13725/ 13727

These manual sausage stuffers offer a wide selection of sizes and configurations for residential and commercial applications. The standard models have enameled steel sides. These 15kg capacity sausage stuffers feature a two speed gearing system - one gear for sausage stuffing and one gear to return piston quickly to starting position. All models are supplied with a selection of stuffing funnels.

15KG CAPACITY VERTICAL  
SAUSAGE STUFFER WITH  
TWO-SPEED GEAR

Item 13727



15KG CAPACITY HORIZONTAL  
SAUSAGE STUFFER WITH  
TWO-SPEED GEAR

Item 13721



15KG CAPACITY HORIZONTAL  
SAUSAGE STUFFER WITH  
TWO-SPEED GEAR

Item 13722



15KG CAPACITY HORIZONTAL  
SAUSAGE STUFFER WITH  
TWO-SPEED GEAR

Item 13725



STANDARD  
STUFFING FUNNELS



Authorized Dealer

# SAUSAGE STUFFERS

## 10-KG MANUAL EUROPEAN SAUSAGE STUFFERS

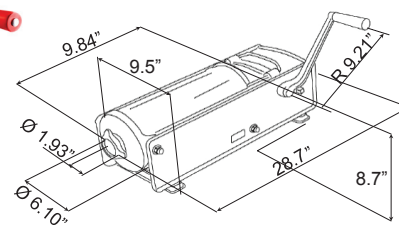


### 10kg CAPACITY HORIZONTAL SAUSAGE STUFFER

- Capacity: 10 kg
- Double piston speed for faster filling
- Stainless steel watertight cylinder
- Rack made of carbon steel
- Pressed and hardened steel gears
- Aluminium gear box with self-lubricating bushings
- Moplen piston equipped with silicon seal and air release valve
- Funnels:  $\varnothing$  10,20,30,40 mm



13721

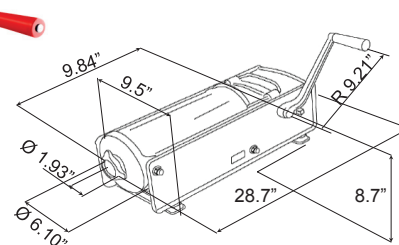


### 10kg CAPACITY HORIZONTAL SAUSAGE STUFFER

- Capacity: 10 kg
- Double piston speed for faster filling
- Stainless steel watertight cylinder
- Stainless steel rack, sides, nuts and bolts
- Pressed and hardened steel gears
- Aluminium gear box with self-lubricating bushings
- Moplen piston equipped with silicon seal and air release valve
- Funnels:  $\varnothing$  10,20,30,40 mm



13722



	10 kg Capacity Horizontal Two-Speed Gear - Driven Sausage Stuffer	10 kg Capacity Horizontal Two-Speed Gear - Driven Sausage Stuffer
ITEM NUMBER	13721	13722
TYPE	Horizontal Two-Speed Gear-Drive	Horizontal, Stainless Steel Sides Two-Speed Gear-Drive
CAPACITY	10kg/ 22lbs.	10kg/ 22lbs.
FUNNEL SIZES (MM)	10, 20, 30, 40	10, 20, 30, 40
NET WEIGHT	44 lbs/ 20 kg	54 lbs/ kg
GROSS WEIGHT	41 lbs/ 18.6 kg	55 lbs./ kg
NET DIMENSIONS	28.7" x 9.5" x 8.7" / 730 x 240 x 220 mm	28.7" x 9.5" x 8.7" / 730 x 240 x 220 mm
GROSS DIMENSIONS	10" x 30 x 10" / 254 x 462 x 254 mm	30" x 15" x 17" / 760 x 380 x 430 mm

## OMCAN INC.

Telephone: 1-800-465-0234  
 Fax: (905) 607-0234  
 E-mail: sales@omcan.com  
 Website: www.omcan.com



Follow us to keep up to date with the latest news and offers



# SAUSAGE STUFFERS

15-KG MANUAL EUROPEAN SAUSAGE STUFFERS

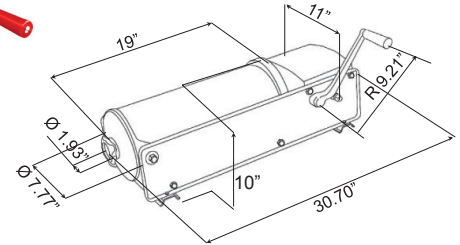


## 15kg CAPACITY HORIZONTAL SAUSAGE STUFFER

- Capacity: 15 kg
- Double piston speed for faster filling
- Stainless steel watertight cylinder
- Rack made of carbon steel
- Pressed and hardened steel gears
- Moplen piston equipped with silicon seal and air release valve
- Funnels:  $\varnothing$  10,20,30,40 mm



13725

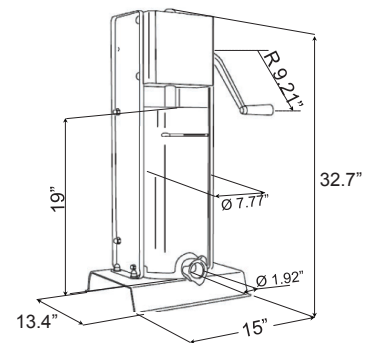


## 15kg CAPACITY VERTICAL SAUSAGE STUFFER

- Capacity: 15 kg
- Double piston speed for faster filling
- Ideal for soft mixtures
- Handle on the back side of the machine, to improve its usability
- Stainless steel cylinder
- Stainless steel rack, base, sides, gear box cover, nuts and bolts
- Pressed and hardened steel gears
- Moplen piston equipped with silicon seal and air release valve
- Aluminium gear-block with self-lubricating bushes
- Funnels:  $\varnothing$  10,20,30,40 mm



13727



	15 kg Capacity Horizontal Two-Speed Gear - Driven Sausage Stuffer	15 kg Capacity Vertical Two-Speed Gear - Driven Sausage Stuffer
ITEM NUMBER	13725	13727
TYPE	Horizontal Two-Speed Gear-Driven	Vertical, Deluxe-All Stainless Steel, Two-Speed Gear-Driven
CAPACITY	15kg/ 30lbs.	15kg/ 30lbs.
FUNNEL SIZES (MM)	10, 20, 30, 40	10, 20, 30, 40
NET WEIGHT	66 lbs./ 30 kg	78.3 lbs./ 35.5 kg
GROSS WEIGHT	67 lbs./ 30.4 kg	86 lbs./ 39 kg
NET DIMENSIONS	30.7" x 11" x 10" / 780 x 280 x 260 mm	15" x 13.4" x 32.7" / 380 x 340 x 830 mm
GROSS DIMENSIONS	32" x 12" x 10" / 810 x 305 x 254 mm	34" x 15" x 14" / 860 x 380 x 356 mm

### OMCAN INC.

Telephone: 1-800-465-0234  
 Fax: (905) 607-0234  
 E-mail: sales@omcan.com  
 Website: www.omcan.com



Follow us to keep up to date with the latest news and offers

